



CME 420 VTR.



2 radiant rings.

- Vitroceramic hob.
- 2 x 2.1 kW rings, Ø 210 mm.
- Total power: 4.2 kW.
- Electric supply: 230 V single phase.
- Supplied without shelves.
- Open bay.

CME 420 VTR W 400 - D 650 - H 900

Warming cabinet option: includes shelves and 1 oven rack.

Door with insulated inner door.

Power of the heating element: 1 kW.

Electric supply: 230 V single phase /400V + N + E.

OAC 400

Door option.

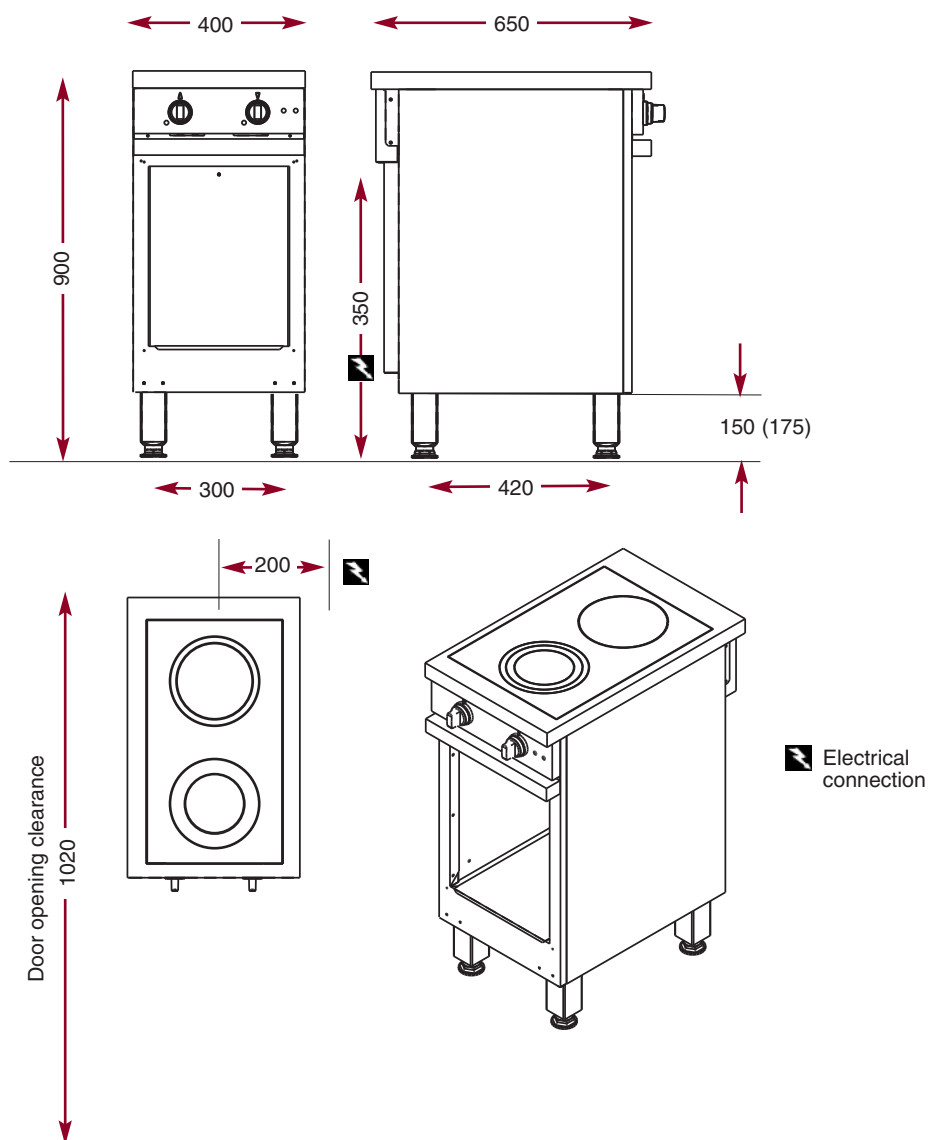
CPM 400

Shelving supports option - 5 levels - takes
Gastronorm 1/1 containers.

ECH 400

2 radiant rings

CME 420 VTR



The Chef's Choice.